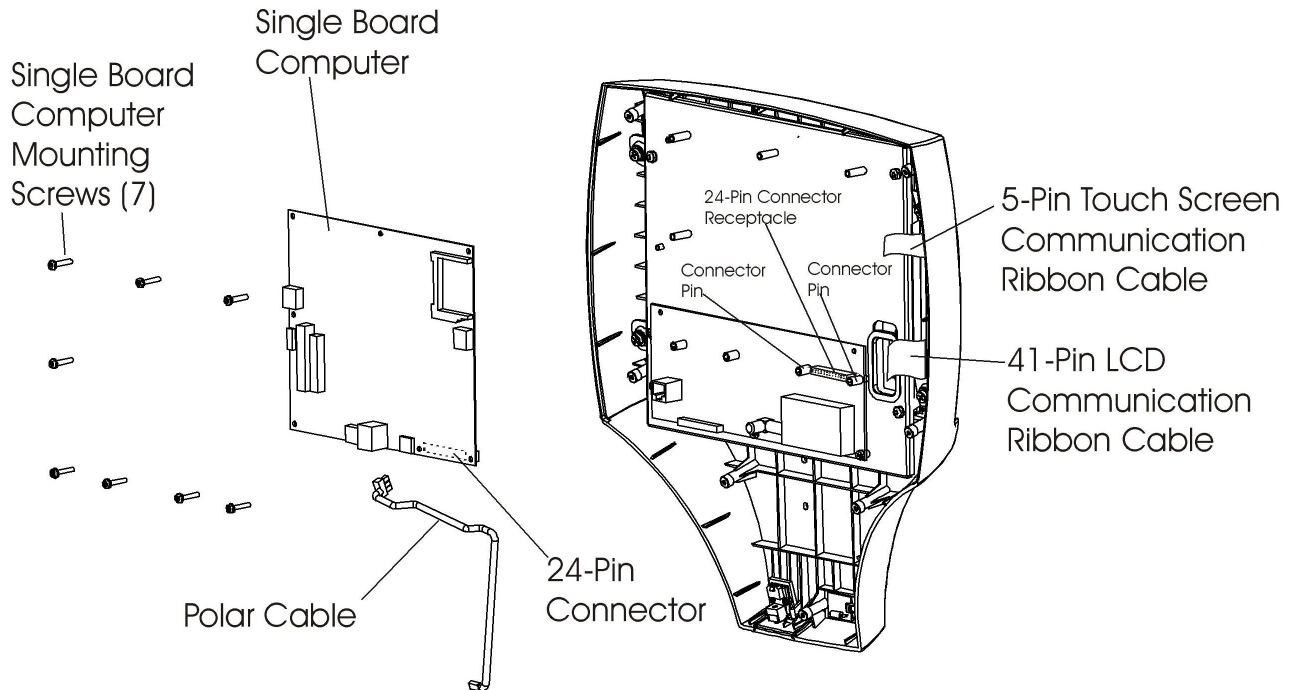


## Life Fitness Cross-Trainers 90X, 93X, 95Xe, and 95Xi How To... Replace the Single Board Computer

Special Service Tools Required: NONE

**CAUTION! BEFORE REPLACING CIRCUIT BOARD(S), GROUND YOURSELF TO THE MACHINE USING AN ANTI-STATIC GROUND STRAP.**



1. Remove the Console from the unit. See "How To..." in this section
2. Remove the Console Back Cover. See "How To..." in this section.
3. Disconnect all of the cables from the Single Board Computer.
4. Remove seven screws securing the Single Board Computer to the back of the LCD Touch Screen. The Single Board Computer remains engaged into a 24-Pin Connector Receptacle, which is located between two Connector Pins on the Interface Board. Carefully wiggle the Single Board Computer up and out of the Interface Board Connector Receptacle and Connector Pins.
5. Install Board in reverse order. Been careful on connecting the single board computer to the machine interface board.